

## 1. Product Overview

TP501 is a CMOS linear image sensor with transparent COB package.

It features a global shutter function, and its charge storage time can be arbitrarily adjusted by Reset Signal (XRESET) and Start Signal (START).

## 2. Product Features

- Package : Transparent COB package
- Spectral Sensitivity : Sensitive wavelength range: 400 to 1,000 nm
- Pixel count : 256 to 512
- Pixel element : 12.5micron (pitch) x 500micron (height)
- Operating rate(fclk) : 0.5 to 10MHz
- Function : Global shutter function
- Others : Charge storage time Adjustable

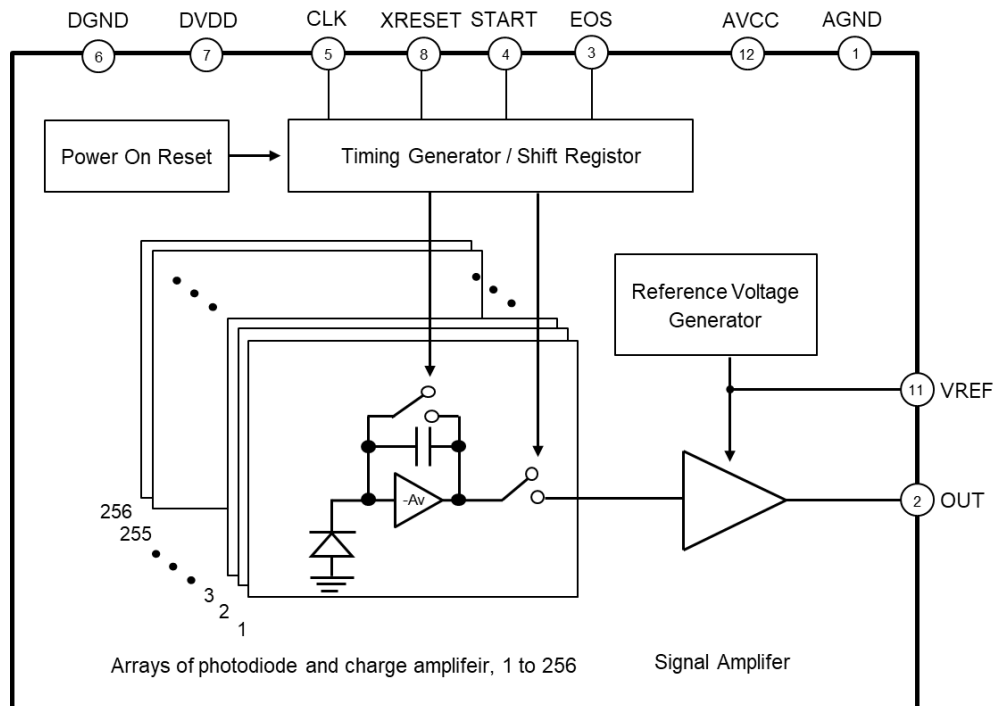


Fig. 2 1 : System Block Diagram

## 3. Applications

Bar-code reader, displacement sensor, photoelectric sensor, etc.

Note: Information in this document is subject to change without notice.

Please confirm the information in this document with the latest version of the document before planning.