

1. Product Overview

We have experience in supplying analog front-end ICs for rotary encoders to several companies in Japan. We can realize the PD-ARRAY shape, dimensions, and circuit configuration required by our customers. Mounted with our products Rotary encoders are used in various industrial applications including AC servo motors. PD-ARRAY alone is also customizable.

2. Application

For industrial and factory automation

3. Product Features

- PD ARRAY : Full custom shapes available
- Type : Transparent type / Reflective type
Incremental type / Absolute type
- LED Mount : LED can be mounted on Si chip.
- LED Control : To keep the light intensity constant, control the LEDs by the light intensity of all PDs.
- Anti-reflective : PD sensitivity is optimized by attaching an antireflection coating to the PD that matches the wavelength of the LED.
To prevent surface reflections other than PD that interfere with optical performance, a black coating that absorbs visible to near-infrared light can be applied.
- Test circuit : For testing complex absolute PD-ARRAYs, a circuit can be implemented to check the output of any PD via I2C I/F.
- Package : Transparent COB, etc.

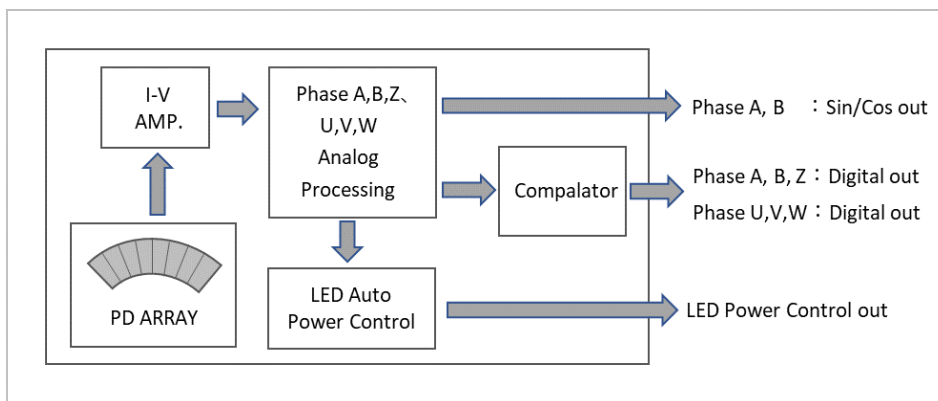


Fig. 1 : Example for System Block Diagram

Note: Information in this document is subject to change without notice.

Please confirm the information in this document with the latest version of the document before planning.